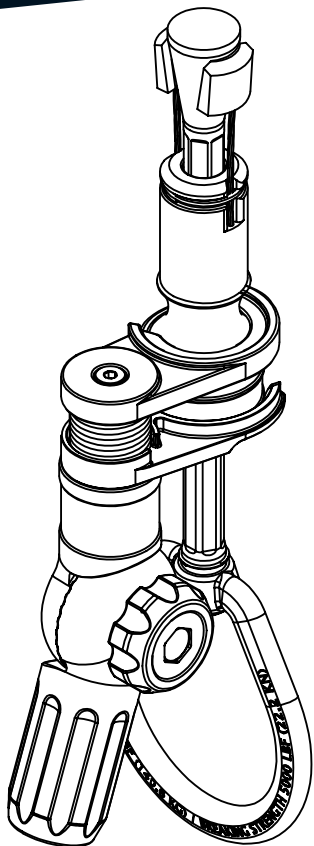


# ClimbTech



## OPERATION AND INSTRUCTION MANUAL

Model: EVO100S-903 & EVO100S-906



**WARNING:** ALL PERSONS USING THIS EQUIPMENT MUST READ AND UNDERSTAND ALL INSTRUCTIONS. FAILURE TO DO SO MAY RESULT IN SERIOUS INJURY OR DEATH. USERS SHOULD BE FAMILIAR WITH PERTINENT REGULATIONS GOVERNING THIS EQUIPMENT. ALL INDIVIDUALS WHO USE THIS PRODUCT MUST BE PROPERLY INSTRUCTED ON HOW TO USE THE DEVICE. AVOID CONTACT WITH PHYSICAL HAZARDS (THERMAL, CHEMICAL, ELECTRICAL, ETC.). MAKE ONLY COMPATIBLE CONNECTIONS.

# Read This Instruction Manual Carefully Before Using This Equipment.

User Instructions must always be available to the user and are not to be removed except by the user of this equipment. For proper use, see supervisor, User Instructions, or contact the manufacturer.



## WARNING

Compliant fall protection and emergency rescue systems help prevent serious injury during fall arrest. Users and purchasers of this equipment must read and understand the User Instructions provided for correct use and care of this product. All users of this equipment must understand the instructions, operation, limitations and consequences of improper use of this equipment and be properly trained prior to use per OSHA 29 CFR 1910.66 and 1926.503 or applicable local standards. **Misuse or failure to follow warnings and instructions may result in serious personal injury or death.**

### PURPOSE

The EVO & RGS System or first man up system is an anchorage connector designed to function as an interface between the anchorage and a fall protection, work positioning, rope access, or rescue system for the purpose of coupling the system to the anchorage. Any references to "anchorage connector" in this manual include, and apply to, the EVO & RGS System.

### USE INSTRUCTIONS

1. A user must be of sound mind and body to properly and safely use this equipment in normal and emergency situations. Users must have a physician ensure they are clear of any medical conditions that may affect the proper and safe use of this equipment in normal and emergency situations.
2. Before using a personal fall arrest system, user must be trained in accordance with the requirements of OSHA 29 CFR 1910.66 in the safe use of the system and its components.
3. Use only with ANSI/OSHA compliant personal fall arrest or restraint systems. The anchorage must have the strength capable of supporting a static load, applied in the directions permitted by the system, of at least 5,000-lbf (22kN) in the absence of certification. (ONLY USE PRE-PLACED EVO RECEPTACLE)
4. The user shall be equipped with a means of limiting the maximum dynamic forces exerted on the user during the arrest of a fall to a maximum of 8 kN (1800-lbf)
5. Use of this product must be approved by an Engineer or other qualified person to be compatible with any and all structural & operational characteristics of the selected installation location and system to be connected to this anchorage connector.
6. The anchorage connector must be inspected prior to each use for wear, damage, and other deterioration. If defective components are found the anchorage connector must be immediately removed from service in accordance with the requirements of OSHA 29 CFR 1910.66 and 1926.502.
7. The anchorage connector should be positioned in such a way that minimizes the potential for falls and the potential fall distance during use. The complete fall protection system must be planned (including all components, calculating fall clearance, and swing fall) before using.
8. A rescue plan, and the means at hand to implement it, must be in place that provides the prompt rescue of users in the event of a fall, or assures that users are able to rescue themselves.
9. After a fall occurs the anchorage connector must be removed from service and destroyed immediately.

**USE LIMITATIONS: The anchorage connector shall not be used outside its limitations, or for any purpose other than that for which it is intended.**

1. The anchorage connector is designed for single user, with a capacity 310-lbs (140 kg) including clothing, tools, etc.
2. The anchorage connector may only be loaded as shown in the PROPER LOADING diagram.
3. The anchorage connector must only be used in compatible receptacles.
4. The anchorage connector should only be used in overhead locations.
5. The anchorage connector is designed to be used in temperatures ranging from -40°F to +130°F (-40°C to +54°C).
6. Do not expose the anchorage connector to chemicals or harsh solutions which may have a harmful effect.
7. Do not alter or modify this product in anyway.
8. Caution must be taken when using any component of a fall protection, work positioning, rope access, or rescue system near moving machinery, electrical hazards, sharp edges, or abrasive surfaces, as contact may cause equipment failure, personal injury, or death.
9. Do not use/install equipment without proper training by a "competent person" as defined by OSHA 29 CFR 1926.32(f).
10. Do not remove the labeling from this product.
11. Additional requirements and limitations may apply depending on anchorage type and fastening option utilized for installation. All placements must be approved by an engineer or other qualified person.
12. This anchorage connector should not be used as part of a horizontal lifeline system.
13. The anchorage connector should only be used for personal fall protection and not for lifting equipment.

### COMPATIBILITY LIMITATIONS

Anchorage connector must only be coupled to compatible connectors. OSHA 29 CFR 1926.502 prohibits snaphooks from being engaged to certain objects unless two requirements are met: it must be a locking type snaphook, and it must be "designed for" making such a connection. "Designed for" means that the manufacturer of the snaphook specifically designed the snaphook to be used to connect to the equipment listed. The following connections must be avoided, because they can result in rollout\* when a non-locking snaphook is used:

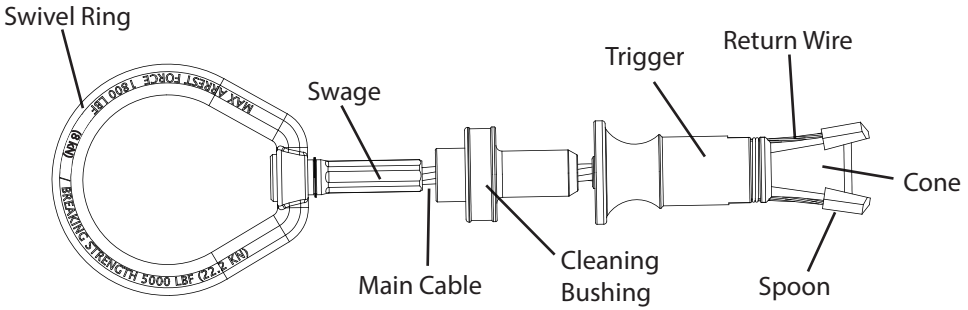
- Direct connection of a snaphook to horizontal lifeline.
- Two (or more) snaphooks connected to one D-ring.
- Two snaphooks connected to each other.
- A snaphook connected back on its integral lanyard.
- A snaphook connected to a webbing loop or webbing lanyard.
- Improper dimensions of the D-ring, rebar, or other connection point in relation to the snaphook dimensions that would allow the snaphook keeper to be depressed by a turning motion of the snaphook.

\*Rollout: A process by which a snaphook or carabiner unintentionally disengages from another connector or object to which it is coupled. (ANSI Z359.1-2007)

# EVO

## EVO100S-903

### (Removable Anchor)



#### PERFORMANCE:

Static Tensile Strength: 5000-lbf (22kN)  
 Maximum Capacity: one worker with weight of 310-lbs (140 kg) when used as a single point anchorage connector for personal fall arrest or restraint system.

#### DIMENSIONS:

Weight: .75-lbs (337.5g)  
 Length: 10.75" (273mm)  
 Diameter: 0.75" (19.05mm)

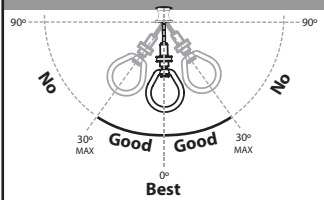
#### REGULATORY COMPLIANCE:

ANSI Z359.18 Type A,  
 ANSI A10.32-12, OSHA 1926  
 Subpart M, and OSHA 1910.

#### COMPONENT MATERIALS:

Aluminum: Trigger, Cleaning  
 Bushing  
 Aircraft Cable: Main Cable, Return  
 Wire Stainless  
 Steel: Cone, Spoons, Swage  
 Zinc Plated Steel: Swivel Ring

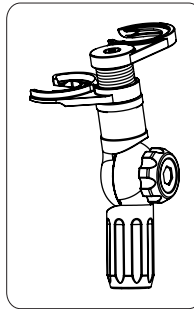
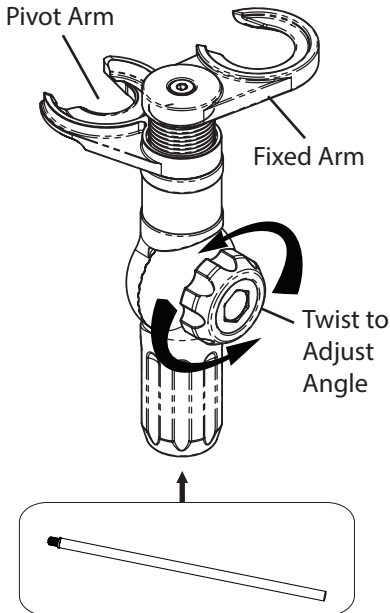
### PROPER LOADING



# RGS

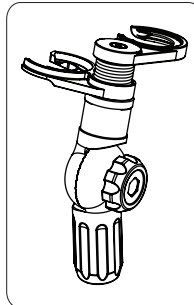
## EVO100S-906

### (Remote Grab System)



#### Installation Prep:

Angle the head 10° - 20°  
 to the Left of the knob.



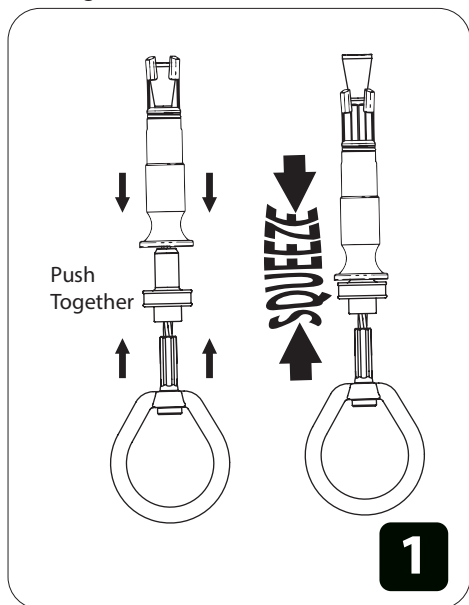
#### Removal Prep:

Angle the head 10° - 20°  
 to the Right of the knob.

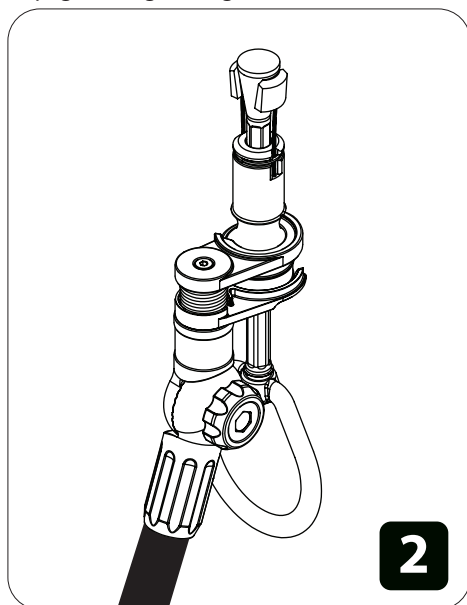
The (RGS) is designed to screw onto standard painter's extension pole with 3/4"-5 acme thread. Angle can be changed by loosening adjustment screw and tightening in appropriate position. RGS is used to install or remove EVOs remotely.

# INSTALLATION INSTRUCTIONS

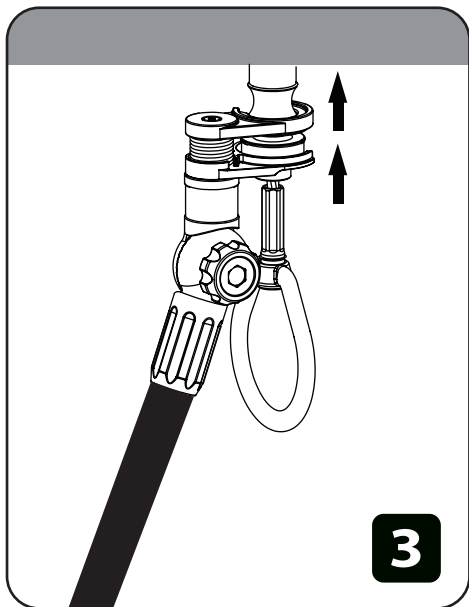
\*Note: Before installation of anchorage connector, receptacle must be clean and free of debris including but not limited to concrete residue from seepage during casting.



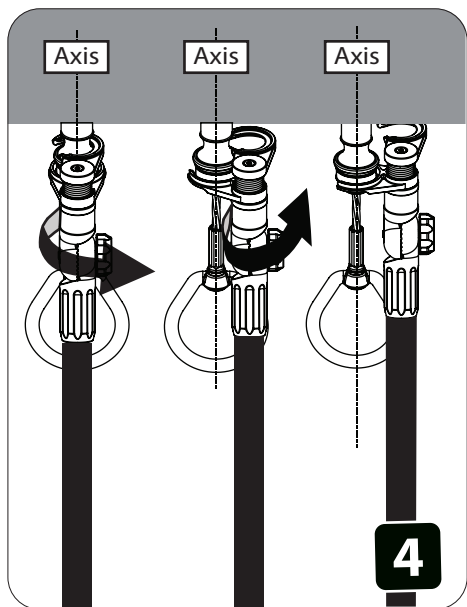
**Step 1:**  
Squeeze cleaning bushing and trigger together.



**Step 2:**  
Hook cleaning bushing onto pivot arm on RGS and rotate to secure EVO.

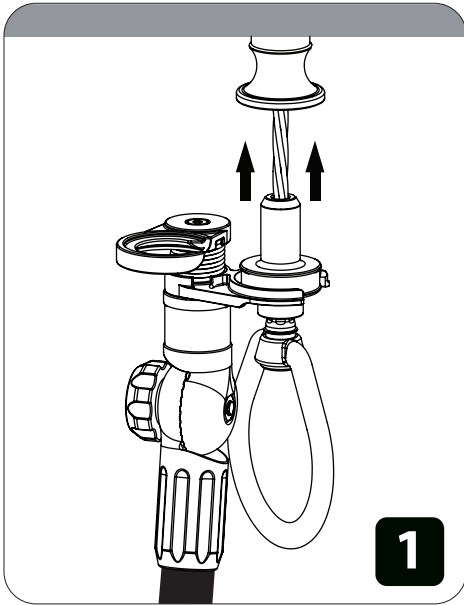


**Step 3:**  
Insert EVO into approved receptacle and apply pressure upwards.

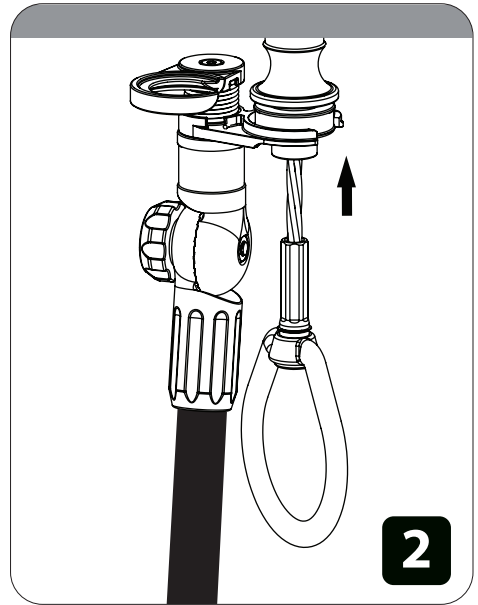


**Step 4:**  
While maintaining upward pressure, use the pole to sweep the RGS around the axis of the EVO as shown. DO NOT TWIST THE POLE.

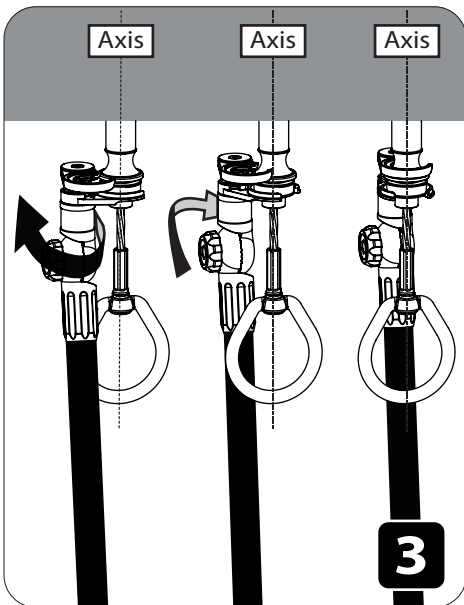
# REMOVAL INSTRUCTIONS



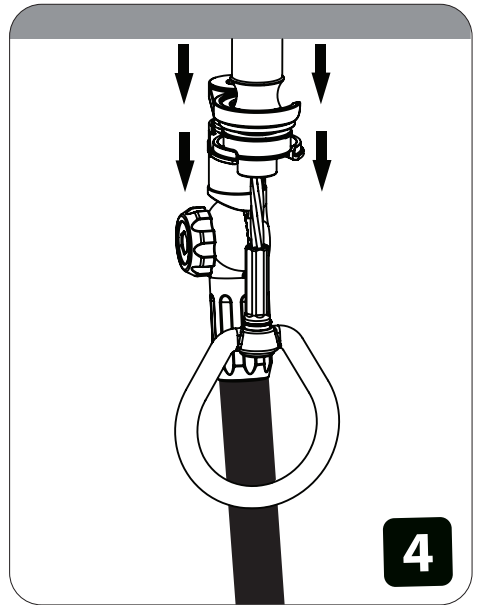
**Step 1:**  
Hook and lift cleaning bushing with pivot arm on RGS.



**Step 2:**  
Push cleaning bushing up into trigger.

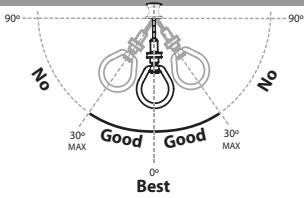


**Step 3:**  
While maintaining upward pressure, use the pole to sweep the RGS around the axis of the EVO as shown. DO NOT TWIST THE POLE.



**Step 4:**  
EVO is now disengaged from receptacle and can be removed.

## PROPER LOADING

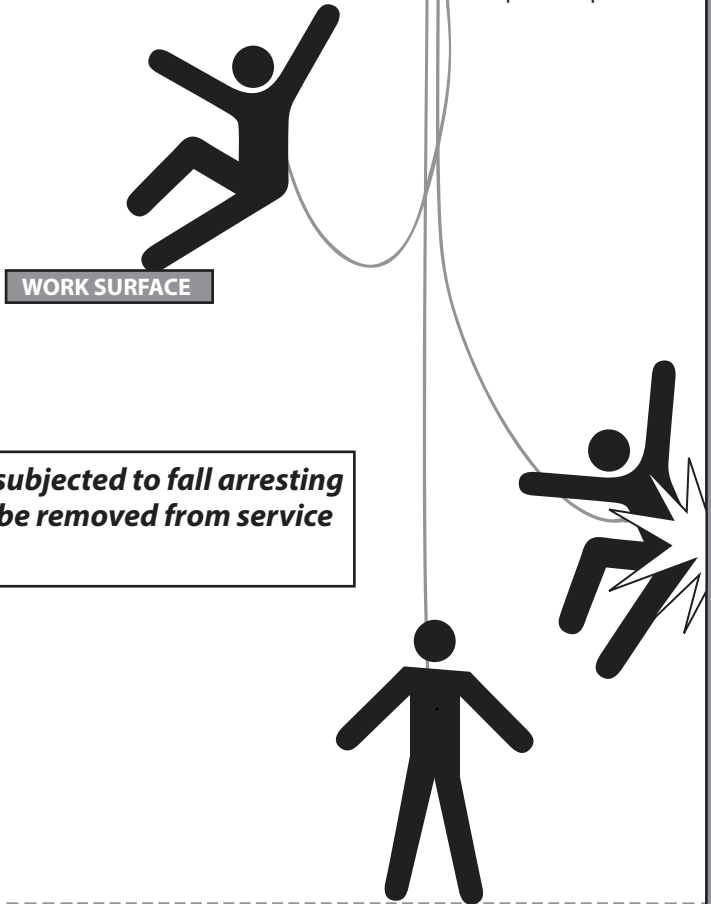


**FOR OVERHEAD USE ONLY. DO NOT USE IF WORKER OR WORK SURFACE IS ABOVE ANCHOR CONNECTOR.**

## APPROVED RECEPTACLE

\*The user shall be equipped with a means of limiting the maximum dynamic forces exerted on the user during the arrest of a fall to a maximum of 8 kN (1800-lbf)

\*The structure the receptacle is attached to must be able to support 5,000-lbf (22kN) and installed under the supervision of a qualified person.



***\*All products subjected to fall arresting forces should be removed from service immediately!***

**MINIMUM SAFETY FACTOR 3ft (1m)**

**DECK/FLOOR/GROUND LEVEL**

**WARNING!!! SWING FALLS CAN OCCUR WHEN THE WORKER IS NOT DIRECTLY UNDER ANCHOR POINT.**

# INSPECTION AND MAINTENANCE LOG

MODEL NUMBER: \_\_\_\_\_

DATE OF MANUFACTURE: \_\_\_\_\_

Date	Part Number	Comments	Inspector Name

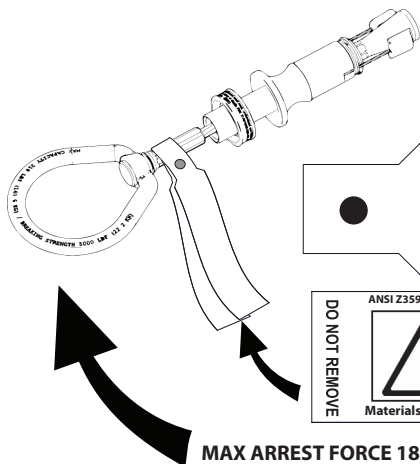
**INSPECTION:**

Inspection required prior to each use by the user. Inspection required at least every 6 months by a Competent Person other than the user. Competent Person inspections must be recorded in this instruction manual.

1. Inspect EVO for visible signs of damage or wear that could affect operation.  
For example: kinked or frayed cables.
2. Make sure all labeling is affixed to the unit.
3. Make sure the D-ring can rotate 360°.
4. Check spoons and end termination operate smoothly with no metal burrs.
5. Record inspection results in the space provide above.

**\*If any damage that could affect the strength or operation of the device, or unsafe conditions are found, proper disposal is required. The anchorage connector must be rendered unusable and then properly discarded.**

## LABEL LOCATIONS



512-308-6440

**EVO ANCHOR**  
 Model: EVO1005-905-CTS  
 Batch: EVO-XXX  
 MFG: MM/YYYY  
**INSPECT BEFORE USE**

DO NOT REMOVE

ANSI Z359.18 Type A ANSI Z359.7-2011, OSHA 1926.502, OSHA 1910.66

**WARNING:** ALL PERSONS USING THIS EQUIPMENT MUST READ AND UNDERSTAND ALL INSTRUCTIONS. FAILURE TO DO SO MAY RESULT IN SERIOUS INJURY OR DEATH. USERS SHOULD BE FAMILIAR WITH PERTINENT REGULATIONS GOVERNING THIS EQUIPMENT. ALL INDIVIDUALS WHO USE THIS PRODUCT MUST BE PROPERLY INSTRUCTED ON HOW TO USE THE DEVICE. AVOID CONTACT WITH PHYSICAL HAZARDS (THERMAL, CHEMICAL, ELECTRICAL, ETC.). MAKE ONLY COMPATIBLE CONNECTIONS.

Materials: Zinc Plated Steel, Stainless Steel, Aluminum, Aircraft Cable

Max Capacity 310 lbs.

**MAX ARREST FORCE 1800 LBF (8 kN) BREAKING STRENGTH 5000 LBF (22.2 kN)**

## **MAINTENANCE, CLEANING AND STORAGE**

Cleaning periodically will prolong the life and proper functioning of the product. The frequency of cleaning should be determined by inspection and by severity of the environment. Clean with compressed air and/or a stiff brush using plain water or a mild soap and water solution. Do not use any corrosive chemicals that could damage the product. Wipe all surfaces with a clean dry cloth and hang to dry, or use compressed air. When not in use, store anchorage connectors in a cool, dry, clean environment, out of direct sunlight and free of corrosive or other degrading elements.

### **Product Warranty, Limited Remedy and Limitation of Liability**

**WARRANTY: THE FOLLOWING IS MADE IN LIEU OF ALL WARRANTIES OR CONDITIONS, EXPRESS OR IMPLIED, INCLUDING THE IMPLIED WARRANTIES OR CONDITIONS OF MERCHANTABILITY OR FITNESS FOR A PARTICULAR PURPOSE.** Equipment offered by ClimbTech is warranted against factory defects in workmanship and materials for a period of one year from date of purchase or first use by the original owner.

**LIMITED REMEDY:** Upon notice in writing, ClimbTech will repair or replace all defective items at ClimbTech's sole discretion. ClimbTech reserves the right to require that the defective item be returned to its plant for inspection before determining the appropriate course of action. Warranty does not cover equipment damage resulting from wear, abuse, damage in transit, failure to maintain the product or other damage beyond the control of ClimbTech. ClimbTech shall be the sole judge of product condition and warranty options. This warranty applies only to original purchaser and is the only warranty applicable to this product. Please contact ClimbTech technical service department for assistance.

**LIMITATION OF LIABILITY: IN NO EVENT WILL CLIMBTECH BE LIABLE FOR ANY INDIRECT, INCIDENTAL, SPECIAL OR CONSEQUENTIAL DAMAGES INCLUDING, BUT NOT LIMITED TO LOSS OF PROFITS, IN ANY WAY RELATED TO THE PRODUCTS REGARDLESS OF THE LEGAL THEORY ASSERTED.**

# ***EVO-FPS***

**ClimbTech, LLC.**

**7303 Burleson Rd. Suite 901 Austin, TX 78744**

**1(512) 308-6440 / [www.climbtech.com](http://www.climbtech.com)**