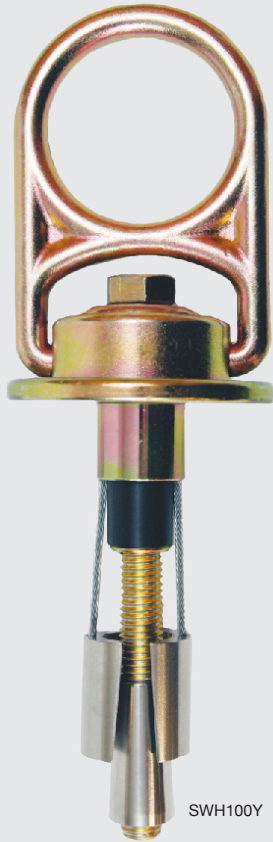
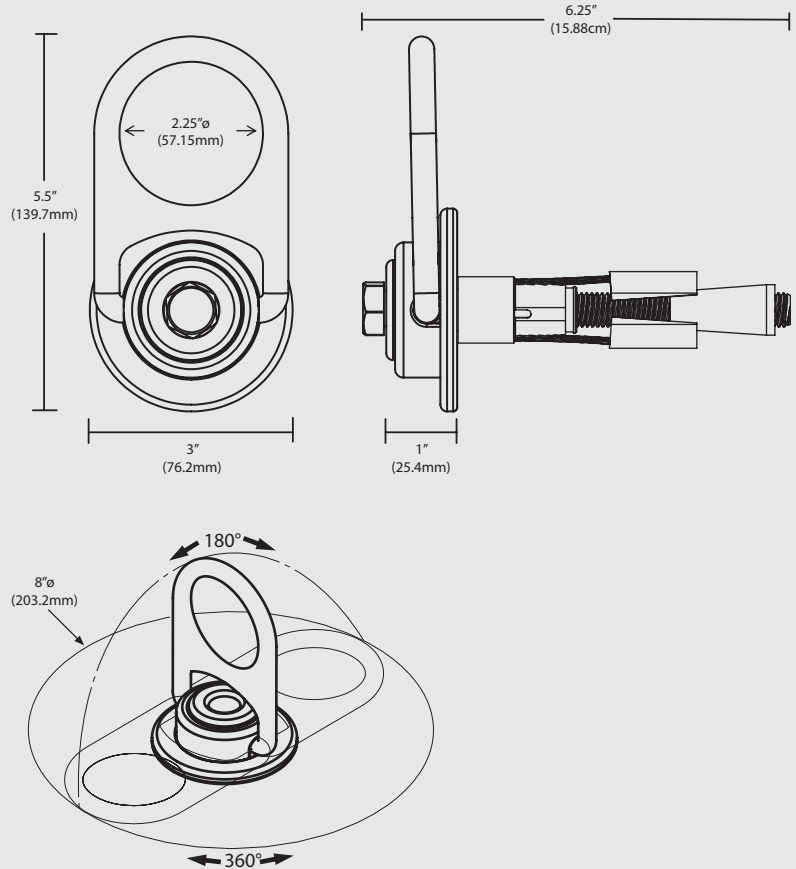


Hybrid Swivel Anchor (10,000-lbf / 44kN)

The Hybrid Swivel Anchor combines the technology of our standard 10,000 lbf (44 kN) Swivel Anchor with our 10,000 lbf (44 kN) Removable Anchor. The result is a high strength swivel that is designed for repeated use in concrete applications, completely retrievable and re-usable.



SWH100Y



PRODUCT CONFIGURATIONS

MODEL	APPLICATION	COLOR	LOADING	WEIGHT
SWH100Y	Concrete Mounting	Gold Zinc	10,000-lbf (44kN)	949g

MATERIALS

- ▼ Swivel
Zinc Plated Steel
- ▼ Bolt
Zinc Plated Steel
- ▼ Sleeve
Zinc Plated Steel
- ▼ Cone
Stainless Steel
- ▼ Bushing
Polyethylene
- ▼ Return Wire
Aircraft Cable
- ▼ Retaining Bushing
Zinc Plated Steel
- ▼ Spoons
Stainless Steel

SPECIFICATIONS

- ▼ UTS
10,000-lbf (44kN)
- ▼ Max User Weight
310lbs / 140kg
- ▼ Working Load
2,000-lbs / 908kg