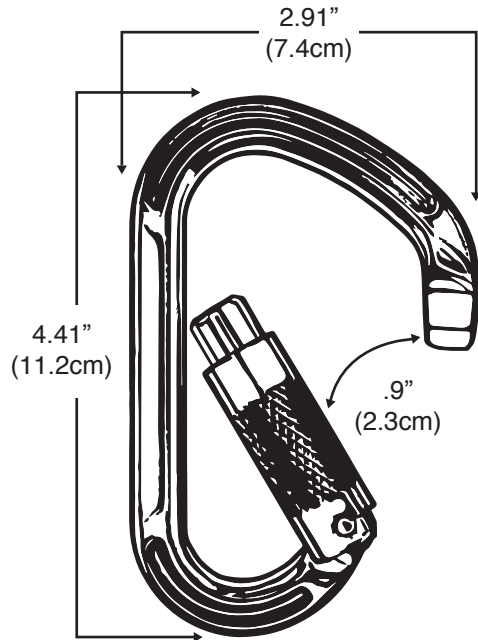


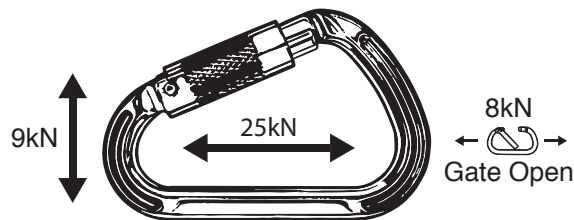
DESCRIPTION

All purpose aluminum triple action auto locking carabiner.



www.climbtechgear.com

SPECIFICATIONS



MATERIALS

Main Body
Aluminum

Gate
Aluminum

PRODUCT VARIATIONS & STRENGTHS

MODEL	GATE	COLOR	LOADING	WEIGHT
CT CLA-GLD	Triple Action Auto Locking	Gold	↔ 25kN ↑ 9kN ↻ 8kn	81.5g