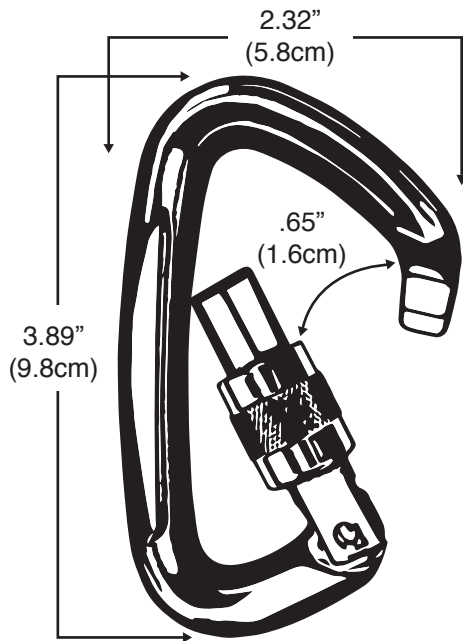


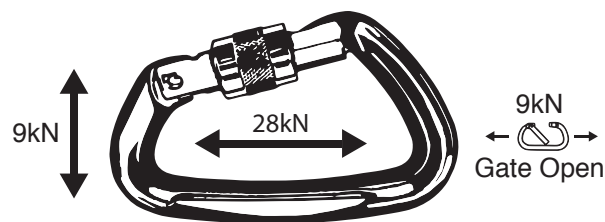
DESCRIPTION

Light weight aluminum screw gate locking carabiner.



www.climbtechgear.com

SPECIFICATIONS



MATERIALS

Main Body
Aluminum

Gate
Aluminum

PRODUCT VARIATIONS

MODEL	GATE	COLOR	LOADING	WEIGHT
CT CLS-BLK	Locking Screw Gate	Black/Red	↔ 28kN ↓ 9kN ⤷ 9kN	54g