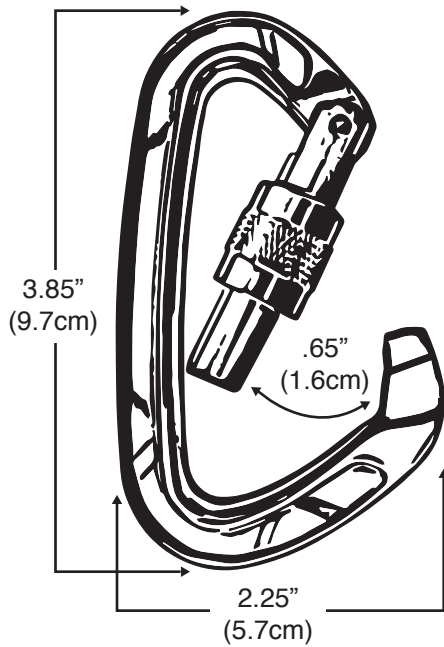


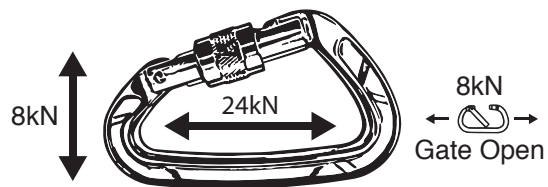
DESCRIPTION

Light weight aluminum screw gate locking carabiner.



www.climbtechgear.com

SPECIFICATIONS



MATERIALS

Main Body
Aluminum

Gate
Aluminum

PRODUCT VARIATIONS

MODEL	GATE	COLOR	LOADING	WEIGHT
CT CLS-BLU	Locking Screw Gate	Blue/Silver	↔ 24kN ↓ 8kN ↻ 8kn	44.5g