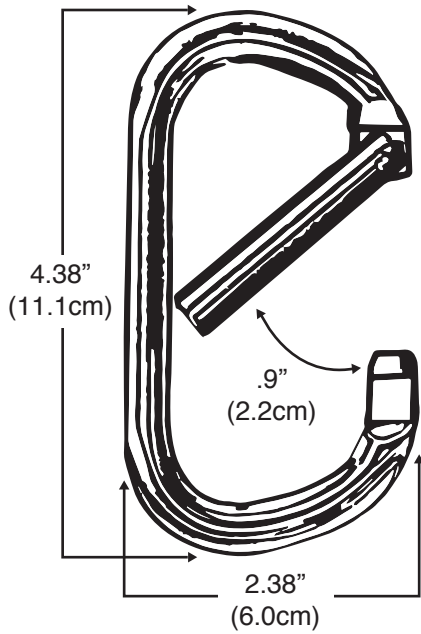
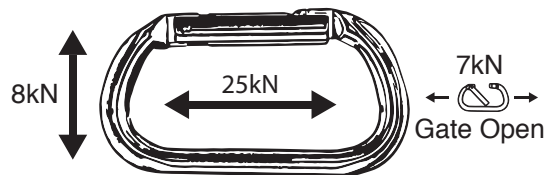


DESCRIPTION

All purpose aluminum non-locking oval-D carabiner.



SPECIFICATIONS



MATERIALS

Main Body  
 Aluminum

Gate  
 Aluminum

PRODUCT VARIATIONS

MODEL	GATE	COLOR	LOADING	WEIGHT
CT COV-SVR	Non-locking	Silver/Blue	↔ 25kN ↓ 8kN ⤷ 7kn	67g