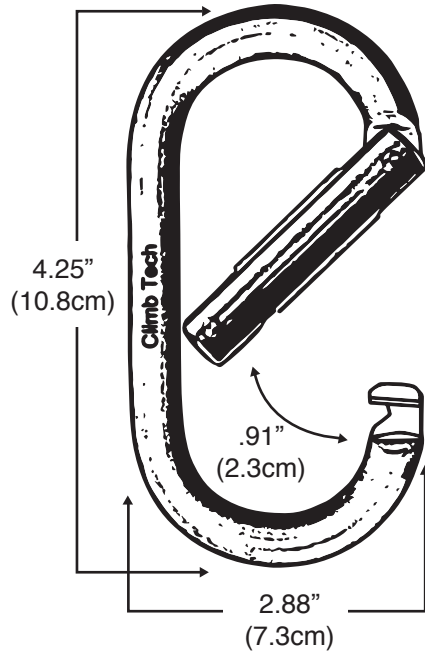


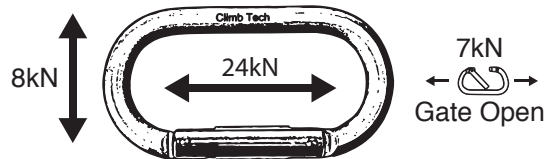
DESCRIPTION

Steel carabiner with a strait gate.



www.climbtechgear.com

SPECIFICATIONS



MATERIALS

Main Body
Zinc Plated Steel

Gate
Zinc Plated Steel

PRODUCT VARIATIONS

MODEL	GATE	COLOR	LOADING	WEIGHT
CT COV-STL	Strait Gate	Gold	↔ 24kN ↓ 8kN ⤵ 7kN	164g