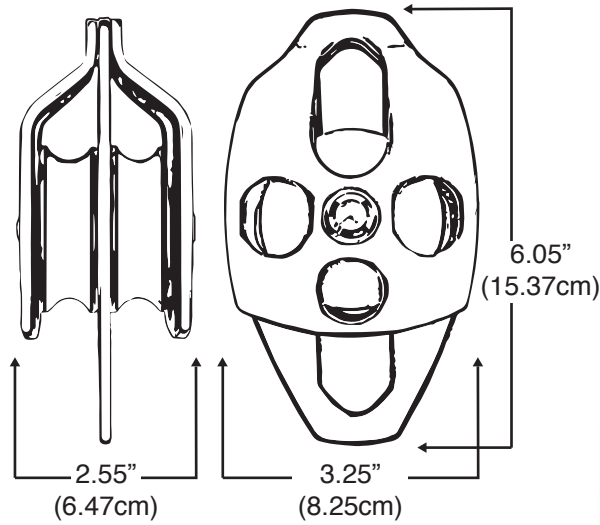


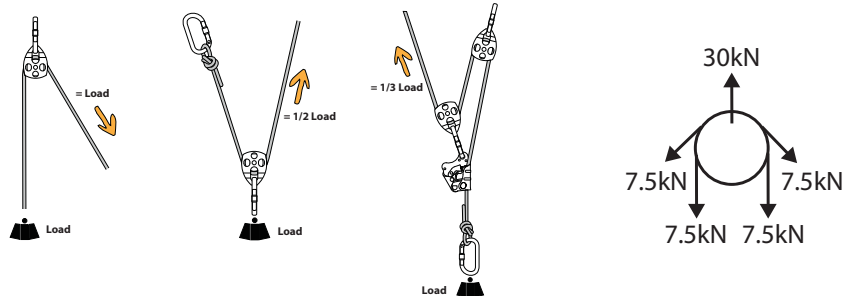
DESCRIPTION

ClimbTech lightweight aluminum double pulley has easy access to load the rope with swiveling side plates. Ball bearings ensure long product life.



www.climbtechgear.com

SPECIFICATIONS



MATERIALS

- ▼ **Main Body**
Aluminum
- ▼ **Pulley**
Aluminum
- ▼ **Bearing**
Steel

PRODUCT VARIATIONS

MODEL	PULLEY	COLOR	WEIGHT
CT PUL-DB	Double	Blue	500g

CE 0194