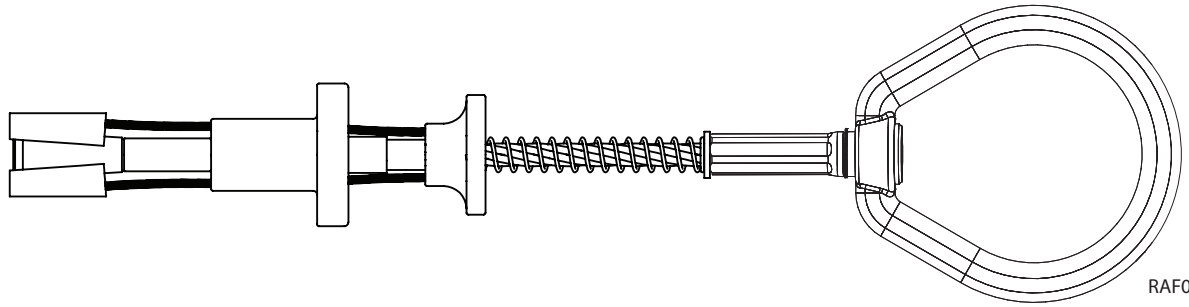




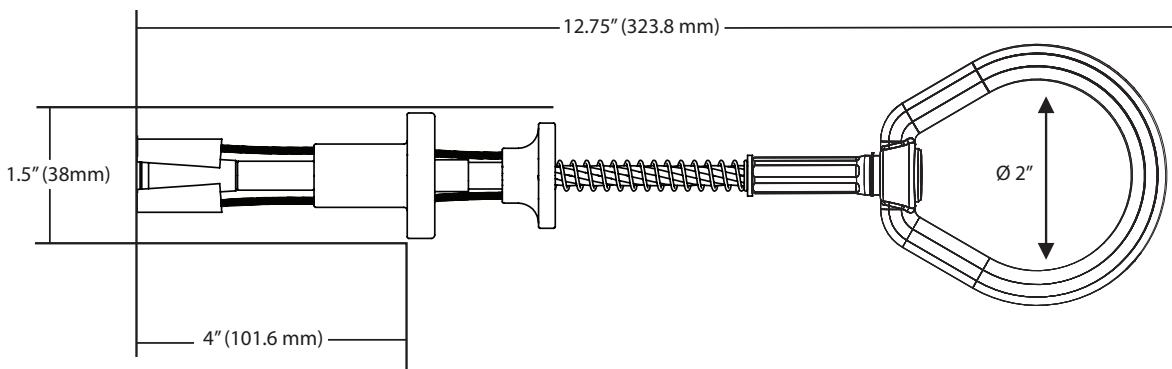
DESCRIPTION

ClimbTech 5,000-lbf / 22kN Removable Bolt Anchor.

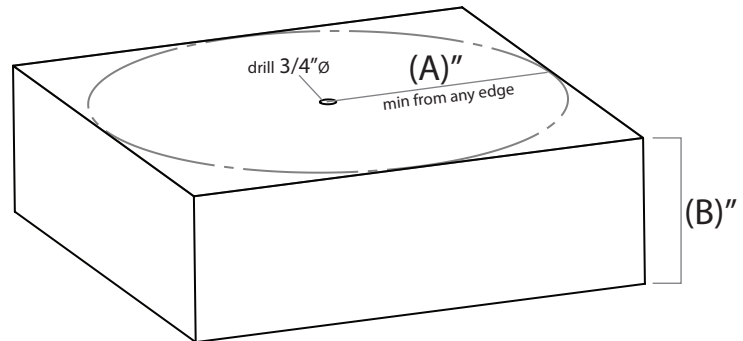
A removable and reusable anchor designed to work in 3/4" drilled hole in concrete substrates.



RAF075S-200



HOLE DRILLING REQUIREMENT CHART	
(A)" Minimum distance from edge/corner	(B)" Concrete thickness
6" (15.3 cm)	12" (30.5 cm)
12" (30.5 cm)	5" (12.7 cm)



SPECIFICATIONS

- ▼ **UTS**
5,000-lbf / 22kN
- ▼ **Max User Weight**
310-lbs / 140kg
- ▼ **Working Load**
1000-lbs / 454kg

MATERIALS

- ▼ **Spoons**
Stainless Steel
- ▼ **End Termination**
Stainless Steel
- ▼ **Cone**
Stainless Steel
- ▼ **Anchor Loop**
Zinc Plated Steel
- ▼ **Cleaning Ferrule**
Stainless Steel
- ▼ **Spring**
Zinc Plated Steel
- ▼ **Stop Sleeve**
Stainless Steel
- ▼ **Trigger**
Aluminum
- ▼ **Main Cable**
Aircraft Cable
- ▼ **Activator Wire**
Aircraft Cable
- ▼ **Hole Plug**
Zinc Plated Steel

PRODUCT CONFIGURATIONS

MODEL	APPLICATION	COLOR	LOADING	WEIGHT
RAF075S-200	Concrete	Black/Silver	5,000-lbf (22kN)	.44-lbs